

# LED Flood Lighting

## SUFA-A Series

GigaTera<sup>®</sup>  
beyond light

SFA1K6

### Product Description

- Outstanding light distribution, full cut-off, glare-free, minimum light pollution
- No need of visor, worry-free in visor corrosion or cleaning, less wind & structural load
- High efficacy, maximum energy saving, excellent cooling technology and durability
- 20kV built-in surge protector, solid design appearance, corrosion-free powder painting
- Flexible options with remote or integrated driver (wireless or DMX, NEMA 7, DALI, Cloud control)
- Support moving light function and future upgrade with GigaTera's RAS solution (Remote Auto Steering)



[ SFA1K6 Fixed Type ]



[ SFA1K6 with RAS ]

### Application

- Sports fields / Stadium / Racecourse
- Indoor arena / Ski course
- Airport apron / Harbor / Train terminal
- Cargo terminal / High mast public area

### Certification

- UL
- CE
- FCC
- PSE
- RCM
- KC

### SUFA-A Series Specifications

<b>Model Name</b>	<b>SFA1K6</b>		
<b>Power Consumption</b>	<b>1600W (800W x 2modules with BLU1K6)</b>		
<b>CCT</b>	5000K (5700K / 4000K / 3000K available)		
<b>Luminous Efficacy *</b>	Up to 110 lm/W	Up to 125 lm/W	Up to 135 lm/W
<b>CRI</b>	90 Ra	80 Ra	70 Ra
<b>LED Driving Current</b>	1,000 mA		
<b>Light Distribution</b>	Narrow beam angles up to 45°, Asymmetric narrow beam		
<b>Input Voltage</b>	DC 200V (through BLU driver)		
<b>Fixture Manufacturer</b>	GigaTera Lighting Inc. (Made in Korea)		
<b>Driver Installation Type</b>	External / Integrated driver		
<b>Weight</b>	63.9 lb / 29.0kg (including bracket)		
<b>Material</b>	<b>Body</b>	Cast Aluminum	
	<b>Optic</b>	AL Coating Reflector / Hybrid Optics	
	<b>Cover</b>	Tempered Glass 4.0T (Clear), Anti UV & Dust, Shatter Proof	
<b>Bracket Install option</b>	Horizontal mounting, Vertical mounting (bracket available for individual single LED module)		
<b>Finish</b>	Powder Painting (Gray color, RAL 7038)		
<b>IP Rating</b>	IP 66		
<b>IK Rating</b>	IK 08		
<b>Effective Projected Area</b>	<b>Front (ft<sup>2</sup> / m<sup>2</sup>)</b>	3.078 / 0.286 (LED module only)	
	<b>Side (ft<sup>2</sup> / m<sup>2</sup>)</b>	1.022 / 0.095 (LED module only)	
<b>Operating Temperature</b>	-30°C ~ 50°C		
<b>Operation Lifetime</b>	> 100,000 hours (L80B10)		

\* Tolerance : ± 5%



# LED Flood Lighting

## SUFA-A Series


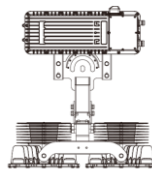
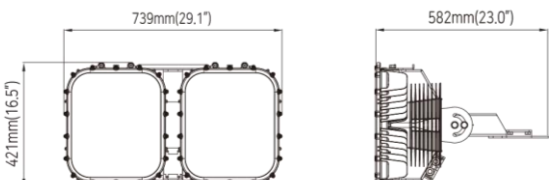
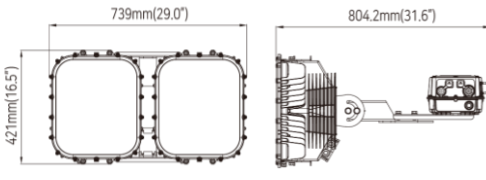
GigaTera<sup>®</sup>  
beyond light

SFA1K6

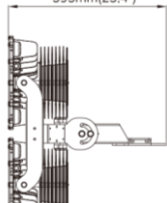
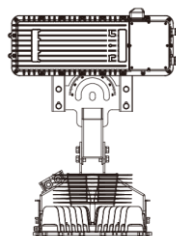
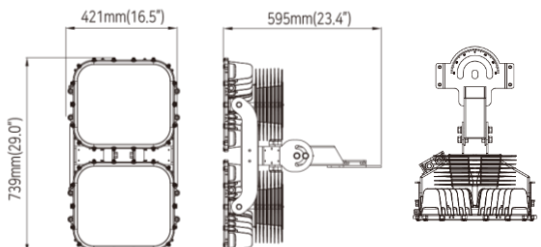
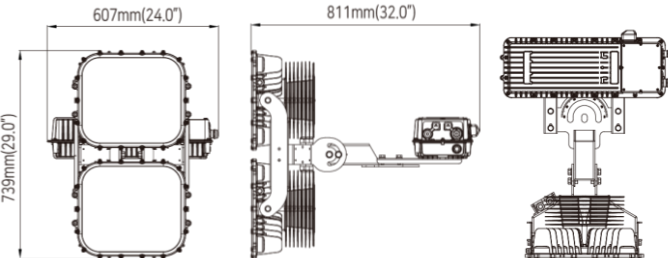
### Driver Specifications

<b>Model Name</b>	<b>BLU1K6</b>	
<b>Power Consumption</b>	<b>1600W</b>	
<b>Input Voltage</b>	200 ~ 277 Vac / 200 ~ 240 Vac / 347 ~ 480 Vac (optional)	
<b>Output Voltage</b>	Typ. 190Vdc (Max. 215Vdc at No Load)	
<b>Input Current</b>	Max. 10.0A (@200 Vac), Max. 5.8A (@347 Vac)	
<b>Power Factor</b>	PF ≥0.9 (AC 200 ~ 277Vac, 100% Load)	
<b>Frequency</b>	50 / 60 Hz	
<b>Surge Protection</b>	Line – Line 20kV, Line – FG 20kV	
<b>Fixture Manufacturer</b>	GigaTera Lighting Inc. (Made in Korea)	
<b>Weight</b>	34.1 lb / 15.5kg	
<b>Option</b>	<b>Control</b>	Wired (RS-485, DMX), Wireless (Zigbee), DALI
<b>IP Rating</b>	IP 66	
<b>IK Rating</b>	IK 08	
<b>Finish</b>	Powder Painting (Gray color, RAL 7038)	

### SUFA-A 1K6 (Horizontal mounting)

Horizontal type (2x800W modules only)		Horizontal type (2x800W modules with rear mounted driver)	
			
			
<b>Size</b>	739 x 421 x 582 (mm) / 29.1 x 16.5 x 23.0 (Inch)	<b>Size</b>	739 x 421 x 804.2 (mm) / 29.0 x 16.5 x 31.6 (Inch)

### SUFA-A 1K6 (Vertical mounting)

Vertical type (2x800W modules only)		Vertical type (2x800W modules with rear mounted driver)	
			
			
<b>Size</b>	421 x 739 x 595 (mm) / 16.5 x 29.0 x 23.4 (Inch)	<b>Size</b>	607 x 739 x 811 (mm) / 24.0 x 29.0 x 32.0 (Inch)



### BLU1K6 Driver Dimensions

Driver (Zigbee Node Type)		Driver (Wired control option)	
<b>Size</b>	623.0 x 239.0 x 145.0 (mm) 23.3 x 9.4 x 5.7 (inch)	<b>Size</b>	623.0 x 214.0 x 145.0 (mm) 23.3 x 7.0 x 5.7 (inch)
<b>Weight</b>	15.5 kg / 34.1 lb	<b>Weight</b>	15.5 kg / 34.1 lb

### Control System (Optional)

Wireless Control	ZigBee		
Input Voltage	12 Vdc		
Max. Power Consumption	0.3W (@15 Vdc)		
Standard	2.4 GHz – IEEE 802.15.4 (Compatible), Operating frequency 2400MHz ~ 2483MHz		
Network	Mesh		
RF Tx Power	Max. +8 dBm (Typ. 5 dBm)		
Data Rate	250 kbps		
Security	28 bit AES Encryption Algorithms		
Antenna	Omni Type, 2 dBi		
Wired Control	RS-485	DMX-512	DALI
Input Voltage	12 Vdc		
Max. Power Consumption	0.2W (@12 Vdc)		
Communication Method	RS-485	DMX-512	Dali Type 1
Data Rate	115,200 bps, 8-N-1	250,000 bps, 8-N-2	1,200bps

### Ordering Information (LED module)

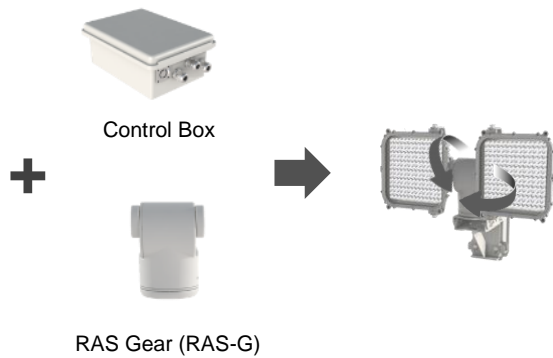
### Ordering Code Usage : SFA1K6-X500177

SFA	○○○	-	○	○○	○○○	○
	Power Consumption		Input Voltage & Type	CCT (K)	Beam Angle	CRI
	1K6 = 1600W		X = DC200V H = Hybrid Optics	57 = 5700K 50 = 5000K 40 = 4000K 30 = 3000K	ASY = asymmetric 034 = 34° 017 = 17°	9 = 90 Ra 8 = 80 Ra 7 = 70 Ra

SFA1K6

Ordering Information (Driver)		Ordering Code Usage : BLU1K6-HXM		
BLU	OOO	O	O	O
	Power Consumption	Input Voltage	Output Voltage	Control System
	<b>1K6</b> = 1600W <b>1K4</b> = 1,400W (Optional)	<b>K</b> = AC200 ~ 240V <b>H</b> = AC200 ~ 277V <b>C</b> = AC347 ~ 480V	<b>X</b> = DC 200V	<b>W</b> = Wired(RS-485) <b>M</b> = Wired(DMX-512) <b>Z</b> = Wireless(Zigbee) <b>N</b> = NEMA-7

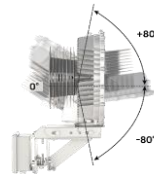
### Moving light option – SUFA-A 1.6kW with RAS (Remote Auto Steering)



- Wired / Cloud Control



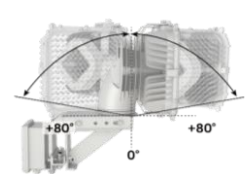
<Tilting ± 80°>



- Preset On-site Wireless Control

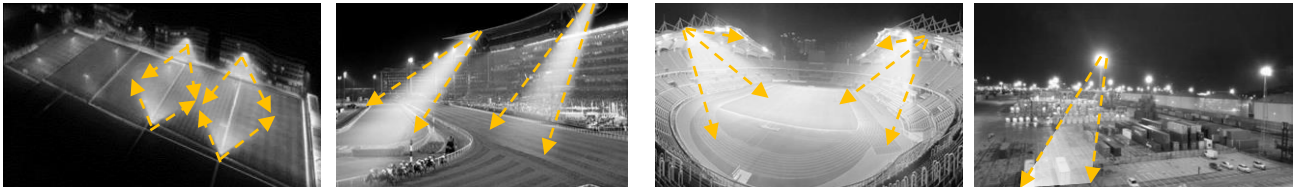


<Rotating ± 80°>



### Application – SUFA-A 1.6kW with RAS

- Light and mast sharing to reduce number of lights, investment, energy consumption, structure load
- Enable to improve illuminance without additional lights
- Flexible multi-purpose lights for main lights, moving lights events and roof/building façade lights
- Future-proof upgrade to add RAS function after installing fixed type SUFA-A 1.6kW



[ Sports field, racetrack, stadium, arena, airport, harbor/rail terminal, industrial large area, parks ]